

**Prepared for: Mr. Chris Drey, Public Works Director, Village of Romeoville**  
1050 West Romeo Road  
Romeoville, IL 60446  
Ordering FIN Code: QD559  
End User FIN Code: QD559

---

2024 F-550 Chassis 4x4 SD Regular Cab 145" WB DRW XL (F5H)  
Price Level: 425

---



**Client Proposal**

Prepared by:  
Dave Thompson  
Office: 815-556-3186  
Email: [davethompson@rodbakerford.com](mailto:davethompson@rodbakerford.com)  
Quote ID: Romeo550  
Date: 05/31/2024



**Prepared for: Mr. Chris Drey**

Public Works Director, Village of Romeoville

Prepared by: Dave Thompson

05/31/2024

Rod Baker Ford Sls Inc | 13921 S. Route 59 Plainfield Illinois | 60544



---

**2024 F-550 Chassis 4x4 SD Regular Cab 145" WB DRW XL (F5H)**

Price Level: 425 | Quote ID: Romeo550

---

**Mr. Chris Drey, Public Works Director, Village of Romeoville**

1050 West Romeo Road

Romeoville, IL 60446

Ordering FIN Code: QD559

End User FIN Code: QD559

**Re: Quote ID Romeo550 05/31/2024**

---

Dear Mr. Drey,

Thank you very much for your interest in acquiring a vehicle from our dealership. We concur that your interest is well deserved. We hope that an outstanding product lineup and our dedication to customer service will enhance your ownership experience should you decide to buy a vehicle from us.

Attached, please find additional information that I hope will assist you in making a more informed decision. Please feel free to contact me at any time as I would truly appreciate the opportunity to be of service to you.

Sincerely,

**Dave Thompson**

Commercial and Fleet Manager

815-556-3186

davethompson@rodbakerford.com

**Prepared for: Mr. Chris Drey**

Public Works Director, Village of Romeoville

Prepared by: Dave Thompson

05/31/2024



Rod Baker Ford Sts Inc | 13921 S. Route 59 Plainfield Illinois | 60544

**2024 F-550 Chassis 4x4 SD Regular Cab 145" WB DRW XL (F5H)**

Price Level: 425 | Quote ID: Romeo550

---

## Table of Contents

Description	Page
Cover Page	1
Cover Letter	2
Table of Contents	3
Pricing Summary - Single Vehicle	4
As Configured Vehicle	5
Selected Equip & Specs	8
Warranty	21
Vehicle Dimension and Performance	22

**Prepared for: Mr. Chris Drey**  
 Public Works Director, Village of Romeoville  
 Prepared by: Dave Thompson  
 05/31/2024



Rod Baker Ford SIs Inc | 13921 S. Route 59 Plainfield Illinois | 60544

2024 F-550 Chassis 4x4 SD Regular Cab 145" WB DRW XL (F5H)

Price Level: 425 | Quote ID: Romeo550

## Pricing Summary - Single Vehicle

		<b>MSRP</b>
<i>Vehicle Pricing</i>		
Base Vehicle Price		\$57,250.00
Options		\$2,840.00
Colors		\$0.00
Upfitting		\$0.00
Fleet Discount		\$0.00
Fuel Charge		\$0.00
Destination Charge		\$1,995.00
<b>Subtotal</b>		<b>\$62,085.00</b>
<i>Pre-Tax Adjustments</i>		
<b>Code</b>	<b>Description</b>	<b>MSRP</b>
D.F.	Doc Fee	\$358.03
Municipalit	Municipal Discount	-\$7,911.03
<b>Subtotal</b>		<b>\$54,532.00</b>
<i>Post-Tax Adjustments</i>		
<b>Code</b>	<b>Description</b>	<b>MSRP</b>
plates	Municipal Plates	\$8.00
Title	Title Fee	\$165.00
<b>Subtotal</b>		<b>\$54,705.00</b>
<b>Total</b>		<b>\$54,705.00</b>

Customer Signature

Acceptance Date

Prices and content availability as shown are subject to change and should be treated as estimates only. Actual base vehicle, package and option pricing may vary from this estimate because of special local pricing, availability or pricing adjustments not reflected in the dealer's computer system. See salesperson for the most current information.

**Prepared for: Mr. Chris Drey**

Public Works Director, Village of Romeoville

Prepared by: Dave Thompson

05/31/2024



Rod Baker Ford Sts Inc | 13921 S. Route 59 Plainfield Illinois | 60544

**2024 F-550 Chassis 4x4 SD Regular Cab 145" WB DRW XL (F5H)**

Price Level: 425 | Quote ID: Romeo550

**As Configured Vehicle**

<b>Code</b>	<b>Description</b>	<b>MSRP</b>
F5H	Base Vehicle Price (F5H)	\$57,250.00
660A	Order Code 660A <i>Includes:</i> - Engine: 7.3L 2V DEVCT NA PFI V8 Gas - Transmission: TorqShift 10-Speed Automatic 10R140 with neutral idle. Includes SelectShift and selectable drive modes: normal, tow/haul, eco, slippery roads and off-road. - Wheels: 19.5" x 6" Argent Painted Steel Hub covers/center ornaments not included - HD Vinyl 40/20/40 Split Bench Seat Includes center armrest, cupholder, storage, 2-way adjustable driver/passenger headrests and driver's side manual lumbar. - Radio: AM/FM Stereo w/MP3 Player Includes 4 speakers. - SYNC 4 Communications & Entertainment System Includes enhanced voice recognition, 911 Assist, 8" LCD center stack screen, AppLink, 1 smart-charging USB port and trailer brake controller.	N/C
99N	Engine: 7.3L 2V DEVCT NA PFI V8 Gas	Included
44G	Transmission: TorqShift 10-Speed Automatic <i>10R140 with neutral idle. Includes SelectShift and selectable drive modes: normal, tow/haul, eco, slippery roads and off-road.</i>	Included
X8L	Limited Slip w/4.88 Axle Ratio	\$395.00
68U	GVWR: 19,000 lbs Payload Upgrade Package <i>Includes upgraded frame and upgraded rear-axle. Note: See Order Guide Supplemental Reference for further details on GVWR and payload ranges.</i>	\$815.00
TGK	Tires: 225/70Rx19.5G BSW Traction (TGK) <i>Includes 4 traction tires on the rear and 2 traction tires on the front. Not recommended for over the road applications; could incur irregular front tire wear and/or NVH.</i>	\$215.00
64Z	Wheels: 19.5" x 6" Argent Painted Steel <i>Hub covers/center ornaments not included.</i>	Included
A	HD Vinyl 40/20/40 Split Bench Seat <i>Includes center armrest, cupholder, storage, 2-way adjustable driver/passenger headrests and driver's side manual lumbar.</i>	Included
PAINT	Monotone Paint Application	STD
145WB	145" Wheelbase	STD
STDRD	Radio: AM/FM Stereo w/MP3 Player <i>Includes 4 speakers.</i>	Included

Prices and content availability as shown are subject to change and should be treated as estimates only. Actual base vehicle, package and option pricing may vary from this estimate because of special local pricing, availability or pricing adjustments not reflected in the dealer's computer system. See salesperson for the most current information.

Prepared for: Mr. Chris Drey

Public Works Director, Village of Romeoville

Prepared by: Dave Thompson

05/31/2024



Rod Baker Ford SIs Inc | 13921 S. Route 59 Plainfield Illinois | 60544

2024 F-550 Chassis 4x4 SD Regular Cab 145" WB DRW XL (F5H)

Price Level: 425 | Quote ID: Romeo550

### As Configured Vehicle (cont'd)

Code	Description	MSRP
	<i>Includes:</i> - SYNC 4 Communications & Entertainment System Includes enhanced voice recognition, 911 Assist, 8" LCD center stack screen, AppLink, 1 smart-charging USB port and trailer brake controller.	
473	<b>Snow Plow Prep Package</b>	\$250.00
	<i>Includes pre-selected springs (see order guide supplemental reference for springs/FGAWR of specific vehicle configurations). Note 1: Restrictions apply; see supplemental reference or body builders layout book for details. Note 2: Also allows for the attachment of a winch. Note 3: Highly recommended to add (86M) dual battery on 7.3L gas engine. Adding (67B) 410 amp dual alternators for diesel engine is highly recommended for max power output.</i>	
86K	<b>Programmable Engine Idle Shutdown Timer</b>	\$250.00
	<i>Selection of this option enables the driver to select a time period between 1 to 30 minutes before the engine will shut off after idling. There will not be an option to override this timing. Customers needing to idle their vehicles for longer periods should not select this option.</i>	
18B	<b>Platform Running Boards</b>	\$320.00
153	<b>Front License Plate Bracket</b>	N/C
	Standard in states requiring 2 license plates and optional to all others.	
872	<b>Rear View Camera &amp; Prep Kit</b>	\$415.00
	<i>Pre-installed content includes cab wiring and frame wiring to the rear most cross member. Upfitters kit includes camera with mounting bracket, 20' jumper wire and camera mounting/aiming instructions.</i>	
61L	<b>Front Wheel Well Liners (Pre-Installed)</b>	\$180.00
WARANT	<b>Fleet Customer Powertrain Limited Warranty</b>	N/C
	Requires valid FIN code. <i>Ford is increasing the 5-year 60,000-mile limited powertrain warranty to 5-years, 100,000 miles. Only Fleet purchasers with a valid Fleet Identification Number (FIN code) will receive the extended warranty. When the sale is entered into the sales reporting system with a sales type fleet along with a valid FIN code, the warranty extension will automatically be added to the vehicle. The extension will stay with the vehicle even if it is subsequently sold to a non-fleet customer before the expiration. This extension applies to both gas and diesel powertrains. Dealers can check for the warranty extension on eligible fleet vehicles in OASIS. Please refer to the Warranty and Policy Manual section 3.13.00 Gas Engine Commercial Warranty. This change will also be reflected in the printed Warranty Guided distributed with the purchase of every new vehicle.</i>	
425	<b>50-State Emissions System</b>	STD
Z1_01	<b>Oxford White</b>	N/C
AS_03	<b>Medium Dark Slate w/HD Vinyl 40/20/40 Split Bench Seat</b>	N/C
<b>SUBTOTAL</b>		<b>\$60,090.00</b>

Prices and content availability as shown are subject to change and should be treated as estimates only. Actual base vehicle, package and option pricing may vary from this estimate because of special local pricing, availability or pricing adjustments not reflected in the dealer's computer system. See salesperson for the most current information.

**Prepared for: Mr. Chris Drey**

Public Works Director, Village of Romeoville

Prepared by: Dave Thompson

05/31/2024

Rod Baker Ford Sls Inc | 13921 S. Route 59 Plainfield Illinois | 60544



---

2024 F-550 Chassis 4x4 SD Regular Cab 145" WB DRW XL (F5H)

Price Level: 425 | Quote ID: Romeo550

---

**As Configured Vehicle (cont'd)**

<b>Code</b>	<b>Description</b>	<b>MSRP</b>
	Destination Charge	\$1,995.00
<b>TOTAL</b>		<b>\$62,085.00</b>

---

Prices and content availability as shown are subject to change and should be treated as estimates only. Actual base vehicle, package and option pricing may vary from this estimate because of special local pricing, availability or pricing adjustments not reflected in the dealer's computer system. See salesperson for the most current information.

**Prepared for: Mr. Chris Drey**

Public Works Director, Village of Romeoville

Prepared by: Dave Thompson

05/31/2024



Rod Baker Ford Sls Inc | 13921 S. Route 59 Plainfield Illinois | 60544

**2024 F-550 Chassis 4x4 SD Regular Cab 145" WB DRW XL (F5H)**

Price Level: 425 | Quote ID: Romeo550

## Selected Equip & Specs

### Dimensions

- Conventional Capacity: 18,500 lbs.
- Fifth-wheel towing capacity: 21,700 lbs.
- Front brake diameter: 15.4"
- Vehicle body length: 230.7"
- Vehicle body height: 82.6"
- Vehicle turning radius: 21.2'
- Rear track: 74.0"
- Rear tire outside width: 93.9"
- Frame section modulus: 12.7 cu.in.
- Frame rail width: 34.2"
- Front bumper to back of cab: 123.7"
- Max interior rear cargo volume: 11.6 cu.ft.
- Headroom first-row: 40.8"
- Shoulder room first-row: 66.7"
- GCWR: 30,000 lbs.
- \* **Gooseneck towing capacity: 21,800 lbs.**
- Rear brake diameter: 15.8"
- Vehicle body width: 80.0"
- Wheelbase: 145.0"
- Front track: 74.8"
- Cab to axle: 60.0"
- Axle to end of frame: 47.2"
- Frame yield strength (psi): 50000.0
- Front bumper to front axle: 38.3"
- Interior rear cargo volume: 11.6 cu.ft.
- Total passenger volume: 64.6 cu.ft.
- Leg room first-row: 43.9"
- Hip room first-row: 62.5"

### Powertrain

- Spark ignition system
- Engine cylinders: V-8
- Horsepower: 335 HP@3750 RPM
- Radiator
- 10-speed automatic
- Four-wheel drive
- Driveline managed traction control
- \* **Mechanical limited slip differential**
- 7.3L V-8 DEVCT variable valve control, engine with 335HP
- Injection Type: sequential MPI
- Torque: 468 lb.-ft.@3750 RPM
- Auxiliary power take-off
- Part-time 4WD
- Recommended fuel: regular unleaded
- Electronic transfer case shift
- Auto locking hub control

### Fuel Economy and Emissions

- Gasoline secondary fuel type
- Federal emissions

### Suspension and Handling

- Firm ride suspension
- Heavy-duty rear shock absorbers
- Heavy-duty front shock absorbers

### Driveability

- 4-wheel disc brakes
- 4-wheel antilock (ABS) brakes
- Brake assist system
- Mono-beam rigid axle front suspension
- Front coil springs
- Front and rear ventilated disc brakes
- Four channel ABS brakes
- Hill Start Assist
- Front anti-roll bar
- \* **Rigid axle rear suspension**

Prices and content availability as shown are subject to change and should be treated as estimates only. Actual base vehicle, package and option pricing may vary from this estimate because of special local pricing, availability or pricing adjustments not reflected in the dealer's computer system. See salesperson for the most current information.



**Prepared for: Mr. Chris Drey**

Public Works Director, Village of Romeoville

Prepared by: Dave Thompson

05/31/2024



Rod Baker Ford Sls Inc | 13921 S. Route 59 Plainfield Illinois | 60544

---

**2024 F-550 Chassis 4x4 SD Regular Cab 145" WB DRW XL (F5H)**

Price Level: 425 | Quote ID: Romeo550

---

**Selected Equip & Specs (cont'd)**

- Rear anti-roll bar
- Hydraulic power-assist steering system
- 2-wheel steering system
- Leaf spring rear suspension
- Re-circulating ball steering

**Body Exterior**

- Trailer wiring harness
- 2 doors
- Monotone paint
- Black side window trim
- Black windshield trim
- 2 front tow hooks
- Black grille
- Manual extendable trailer mirrors
- Black door mirrors
- 19.5 x 6-inch front and dual rear argent steel wheels
- \* **Running boards**
- Clearcoat paint
- Black fender flares
- Black door handles
- Black front bumper
- Black front bumper rub strip
- Convex spotter in driver and passenger side door mirrors
- Turn signal indicator in door mirrors
- \* **LT225/70RS19.5 AT BSW front and rear tires**

**Convenience**

- Power door locks with 2 stage unlocking
- All-in-one remote fob and ignition key
- FordPass Connect smart device vehicle start control
- Power first-row windows
- Front beverage holders
- 6 beverage holders
- Instrument panel covered bin
- Retained accessory power
- Upfitter switches
- PRND in IP
- Keyfob activated door locks
- Cruise control with steering wheel mounted controls
- Day/Night rearview mirror
- Fixed rear windshield
- Illuminated locking glove box
- Illuminated glove box
- Dashboard storage
- Trip computer
- Over the air updates

**Comfort**

- Manual climate control
- Cloth headliner material
- Full vinyl floor covering
- Urethane steering wheel
- Manual telescopic steering wheel
- Cabin air filter
- Full headliner coverage
- Full floor coverage
- Manual tilting steering wheel

**Seats and Trim**

- Seating capacity: 3
- Driver seat with 4-way directional controls
- Height adjustable front seat head restraints
- Split-bench front seat
- 40-20-40 split-bench front seat
- Front passenger seat with 4-way directional controls
- Manual front seat head restraint control
- Front seat center armrest

---

Prices and content availability as shown are subject to change and should be treated as estimates only. Actual base vehicle, package and option pricing may vary from this estimate because of special local pricing, availability or pricing adjustments not reflected in the dealer's computer system. See salesperson for the most current information.

**Prepared for: Mr. Chris Drey**

Public Works Director, Village of Romeoville

Prepared by: Dave Thompson

05/31/2024



Rod Baker Ford Sls Inc | 13921 S. Route 59 Plainfield Illinois | 60544

---

**2024 F-550 Chassis 4x4 SD Regular Cab 145" WB DRW XL (F5H)**

Price Level: 425 | Quote ID: Romeo550

---

### Selected Equip & Specs (cont'd)

- Front seat armrest storage
- Manual driver seat fore/aft control
- Manual passenger seat fore/aft control
- Vinyl front seat upholstery
- Manual reclining driver seat
- Manual reclining passenger seat
- Manual driver seat lumbar

### Entertainment Features

- 2 total number of 1st row displays
- Primary touchscreen display
- \* **AM/FM**
- AM radio
- Seek scan
- Standard grade speakers
- Steering wheel mounted audio controls
- Speed sensitive volume
- Fixed audio antenna
- 8 inch primary display
- AM/FM stereo radio
- In-vehicle audio
- FM radio
- SYNC 4 external memory control
- Speakers number: 4
- SYNC 4 voice activated audio controls
- Wireless audio streaming

### Lighting, Visibility and Instrumentation

- Digital/analog instrumentation display
- Trip odometer
- Compass
- Driver information center
- Oil pressure gauge
- Transmission fluid temperature gauge
- Gauge cluster display size (inches): 4.20
- Reflector headlights
- Autolamp auto on/off headlight control
- Delay-off headlights
- Variable intermittent front windshield wipers
- Front reading lights
- Daytime running lights
- Remote activated perimeter approach lighting
- Configurable instrumentation gauges
- In-radio display clock
- Exterior temperature display
- Tachometer
- Engine/electric motor temperature gauge
- Engine hour meter
- Light tinted windows
- Halogen headlights
- Multiple enclosed headlights
- DRL preference setting
- Illuminated entry
- Variable instrument panel light
- Cab clearance lights
- Fade interior courtesy lights

### Technology and Telematics

- SYNC 4 911 Assist emergency SOS system via mobile device
- AppLink/Apple CarPlay/Android Auto smart device wireless mirroring
- FordPass Connect 5G mobile hotspot internet access
- SYNC 4 handsfree wireless device connectivity
- FordPass App mobile app access
- 2 USB ports

### Safety and Security

- Driver front impact airbag
- Seat mounted side impact driver airbag

---

Prices and content availability as shown are subject to change and should be treated as estimates only. Actual base vehicle, package and option pricing may vary from this estimate because of special local pricing, availability or pricing adjustments not reflected in the dealer's computer system. See salesperson for the most current information.

**Prepared for: Mr. Chris Drey**

Public Works Director, Village of Romeoville

Prepared by: Dave Thompson

05/31/2024



Rod Baker Ford Sls Inc | 13921 S. Route 59 Plainfield Illinois | 60544

**2024 F-550 Chassis 4x4 SD Regular Cab 145" WB DRW XL (F5H)**

Price Level: 425 | Quote ID: Romeo550

**Selected Equip & Specs (cont'd)**

- Safety Canopy System curtain first-row overhead airbags
- Seat mounted side impact front passenger airbag
- Front height adjustable seatbelts
- Remote panic alarm
- Pre-Collision Assist with Automatic Emergency Braking (AEB) forward collision mitigation
- Cancellable front passenger air bag
- 6 airbags
- SecuriLock immobilizer
- Lane Departure Warning
- \* **Rear mounted camera**

**Dimensions**

*General Weights*

* <b>Curb weight</b>	<b>6,920 lbs.</b>	* <b>Rear curb weight</b>	<b>3,018 lbs.</b>
* <b>GVWR</b>	<b>19,000 lbs.</b>	* <b>Payload</b>	<b>12,010 lbs.</b>

*Trailer Weights*

Fifth-wheel towing capacity	21,700 lbs.	* <b>Gooseneck towing capacity</b>	<b>21,800 lbs.</b>
Conventional capacity	18,500 lbs.	GCWR	30,000 lbs.

*Front Weights*

* <b>Front curb weight</b>	<b>3,902 lbs.</b>	* <b>GAWR front</b>	<b>6,500 lbs.</b>
Axle capacity front	7,000 lbs.	* <b>Spring rating front</b>	<b>6,500 lbs.</b>
Tire/wheel capacity front	7,500 lbs.		

*Rear Weights*

* <b>GAWR rear</b>	<b>13,900 lbs.</b>	* <b>Axle capacity rear</b>	<b>13,900 lbs.</b>
* <b>Spring rating rear</b>	<b>13,900 lbs.</b>	Tire/wheel capacity rear	15,000 lbs.

*Off Road*

Min ground clearance	8.5"
----------------------	------

*Exterior Measurements*

Vehicle body length	230.7"	Vehicle body width	80.0"
Vehicle body height	82.6"	Wheelbase	145.0"
Front brake diameter	15.4"	Rear brake diameter	15.8"
Rear frame height loaded	29.9"	Rear frame height unloaded	35.4"
Front track	74.8"	Rear track	74.0"
Vehicle turning radius	21.2'	Cab to axle	60.0"
Rear tire outside width	93.9"	Axle to end of frame	47.2"
Frame section modulus	12.7 cu.in.	Frame yield strength (psi)	50000.0
Frame rail width	34.2"	Front bumper to front axle	38.3"
Front bumper to back of cab	123.7"		

*Interior Measurements*

Interior rear cargo volume	11.6 cu.ft.	Max interior rear cargo volume	11.6 cu.ft.
----------------------------	-------------	--------------------------------	-------------

Prices and content availability as shown are subject to change and should be treated as estimates only. Actual base vehicle, package and option pricing may vary from this estimate because of special local pricing, availability or pricing adjustments not reflected in the dealer's computer system. See salesperson for the most current information.

**Prepared for: Mr. Chris Drey**

Public Works Director, Village of Romeoville

Prepared by: Dave Thompson

05/31/2024



Rod Baker Ford Sls Inc | 13921 S. Route 59 Plainfield Illinois | 60544

**2024 F-550 Chassis 4x4 SD Regular Cab 145" WB DRW XL (F5H)**

Price Level: 425 | Quote ID: Romeo550

**Selected Equip & Specs (cont'd)**

*Interior Volume*

Total passenger volume 64.6 cu.ft.

*Headroom*

Headroom first-row 40.8"

*Legroom*

Leg room first-row 43.9"

*Shoulder Room*

Shoulder room first-row 66.7"

*Hip Room*

Hip room first-row 62.5"

**Powertrain**

*Engine*

Engine	7.3L V-8 DEVCT variable valve control, engine with 335HP	Valves per cylinder	2
Engine cylinders	V-8	Injection type	sequential MPI
Engine location	Front mounted engine	Ignition	Spark ignition system
Engine mounting direction	Longitudinal mounted engine	Engine block material	Iron engine block
Cylinder head material	Aluminum cylinder head		

*Engine Specs*

Displacement	7.3L	cc	445 cu.in.
Bore	4.21"	Stroke	3.98"
Compression ratio	10.5	SAEJ1349	AUG2004 compliant

*Engine Power*

Horsepower	335 HP@3750 RPM	Torque	468 lb.-ft.@3750 RPM
------------	-----------------	--------	----------------------

*Alternator*

Alternator amps	250A	Alternator type	Heavy-duty alternator
-----------------	------	-----------------	-----------------------

*Battery*

Battery amps	78Ah	Battery type	HD lead acid battery
Battery rating	750CCA	Battery run down protection	Battery run down protection

*Engine Extras*

Radiator	Radiator	Auxiliary power take-off	Auxiliary power take-off
----------	----------	--------------------------	--------------------------

*Transmission*

Prices and content availability as shown are subject to change and should be treated as estimates only. Actual base vehicle, package and option pricing may vary from this estimate because of special local pricing, availability or pricing adjustments not reflected in the dealer's computer system. See salesperson for the most current information.

**Prepared for: Mr. Chris Drey**

Public Works Director, Village of Romeoville

Prepared by: Dave Thompson

05/31/2024



Rod Baker Ford Sls Inc | 13921 S. Route 59 Plainfield Illinois | 60544

**2024 F-550 Chassis 4x4 SD Regular Cab 145" WB DRW XL (F5H)**

Price Level: 425 | Quote ID: Romeo550

**Selected Equip & Specs (cont'd)**

Transmission	10-speed automatic	Transmission electronic control	Transmission electronic control
Overdrive transmission	Overdrive transmission	Lock-up transmission	Lock-up transmission
First gear ratio	4.615	Second gear ratio	2.919
Third gear ratio	2.132	Fourth gear ratio	1.773
Fifth gear ratio	1.519	Sixth gear ratio	1.277
Reverse gear ratio	4.695	Seventh gear ratio	1
Eighth gear ratio	0.851	Ninth gear ratio	0.687
Tenth gear ratio	0.632	Stall ratio	1.97
Selectable mode transmission	Selectable mode transmission	Sequential shift control	SelectShift Sequential shift control
Transmission oil cooler	Transmission oil cooler	PTO transmission provision	PTO transmission provision
<i>Drive Type</i>			
4WD type	Part-time 4WD	Drive type	Four-wheel drive
<i>Drivetrain</i>			
Axle ratio	4.88		
<i>Exhaust</i>			
Tailpipe	Stainless steel single exhaust		
<i>Fuel</i>			
Fuel type	regular unleaded		
<i>Fuel Tank</i>			
Fuel tank capacity	40.00 gal.		
<i>Drive Feature</i>			
* Limited slip differential	Mechanical limited slip differential	Traction control	Driveline managed traction control
Locking hub control	Auto locking hub control	Transfer case	Electronic transfer case shift
<i>Provisions</i>			
* Provisions	Snow plow provisions		

**Fuel Economy and Emissions**

<i>Fuel Economy</i>	
Secondary fuel type	Gasoline secondary fuel type
<i>Emissions</i>	
Emissions	Federal emissions

**Suspension and Handling**

Prices and content availability as shown are subject to change and should be treated as estimates only. Actual base vehicle, package and option pricing may vary from this estimate because of special local pricing, availability or pricing adjustments not reflected in the dealer's computer system. See salesperson for the most current information.

**Prepared for: Mr. Chris Drey**

Public Works Director, Village of Romeoville

Prepared by: Dave Thompson

05/31/2024



Rod Baker Ford SIs Inc | 13921 S. Route 59 Plainfield Illinois | 60544

**2024 F-550 Chassis 4x4 SD Regular Cab 145" WB DRW XL (F5H)**

Price Level: 425 | Quote ID: Romeo550

**Selected Equip & Specs (cont'd)**

*Suspension*

Suspension	Firm ride suspension	Front shock absorbers	Heavy-duty front shock absorbers
Rear shock absorbers	Heavy-duty rear shock absorbers		

**Driveability**

*Brakes*

Brake type	4-wheel disc brakes	Ventilated brakes	Front and rear ventilated disc brakes
ABS brakes	Four channel ABS brakes	ABS brakes	4-wheel antilock (ABS) brakes

*Brake Assistance*

Hill start assist	Hill Start Assist	Brake assist system	Brake assist system
-------------------	-------------------	---------------------	---------------------

*Front Suspension*

Front anti-roll	Front anti-roll bar	Suspension ride type front	Mono-beam rigid axle front suspension
-----------------	---------------------	----------------------------	---------------------------------------

*Front Spring*

* HD front springs	<b>Heavy-duty front springs</b>	Springs front	Front coil springs
--------------------	---------------------------------	---------------	--------------------

*Rear Spring*

Springs rear	Rear leaf springs	Rear springs	Heavy-duty rear springs
--------------	-------------------	--------------	-------------------------

*Rear Suspension*

Rear anti-roll	Rear anti-roll bar	Suspension type rear suspension	Leaf spring rear suspension
* Suspension ride type rear suspension	<b>Rigid axle rear suspension</b>		

*Steering*

Steering system	Hydraulic power-assist steering system	Steering type	Re-circulating ball steering
Steering type number of wheels	2-wheel steering system		

**Exterior**

*Front Wheels*

Front wheels diameter	19.5"	Front wheels width	6"
-----------------------	-------	--------------------	----

*Rear Wheels*

Rear wheels diameter	19.5"	Rear wheels width	6"
----------------------	-------	-------------------	----

*Front And Rear Wheels*

Prices and content availability as shown are subject to change and should be treated as estimates only. Actual base vehicle, package and option pricing may vary from this estimate because of special local pricing, availability or pricing adjustments not reflected in the dealer's computer system. See salesperson for the most current information.

**Prepared for: Mr. Chris Drey**

Public Works Director, Village of Romeoville

Prepared by: Dave Thompson

05/31/2024



Rod Baker Ford Sts Inc | 13921 S. Route 59 Plainfield Illinois | 60544

**2024 F-550 Chassis 4x4 SD Regular Cab 145" WB DRW XL (F5H)**

Price Level: 425 | Quote ID: Romeo550

**Selected Equip & Specs (cont'd)**

Appearance	argent	Material	steel
<i>Front Tires</i>			
Aspect	70	Diameter	19.5"
Sidewalls	BSW	Speed	S
* Tread	AT	Type	LT
Width	225mm	* Front wheel - RPM	645
<i>Rear Tires</i>			
Aspect	70	Diameter	19.5"
Sidewalls	BSW	Speed	S
* Tread	AT	Type	LT
Width	225mm	* Rear wheel - RPM	645

**Body Exterior**

*Trailerling*

Towing wiring harness	Trailer wiring harness	Towing brake controller	Trailer brake controller
Towing trailer sway	Trailer sway control		

*Exterior Features*

Number of doors	2 doors	* Running boards	Running boards
Front splash guards	Front splash guards	* License plate front bracket	Front license plate bracket

*Body*

Body panels Aluminum body panels with side impact beams

*Mirrors*

Convex spotter	Convex spotter in driver and passenger side door mirrors	Turn signal in door mirrors	Turn signal indicator in door mirrors
----------------	--	-----------------------------	---------------------------------------

*Tires*

Front tires LT load rating	G	Rear tires LT load rating	G
----------------------------	---	---------------------------	---

*Wheels*

Dual rear wheels	Dual rear wheels
------------------	------------------

**Convenience**

*Door Locks*

Door locks	Power door locks with 2 stage unlocking	Keyfob door locks	Keyfob activated door locks
All-in-one key	All-in-one remote fob and ignition key		

Prices and content availability as shown are subject to change and should be treated as estimates only. Actual base vehicle, package and option pricing may vary from this estimate because of special local pricing, availability or pricing adjustments not reflected in the dealer's computer system. See salesperson for the most current information.

**Prepared for: Mr. Chris Drey**  
 Public Works Director, Village of Romeoville  
 Prepared by: Dave Thompson  
 05/31/2024



Rod Baker Ford Sls Inc | 13921 S. Route 59 Plainfield Illinois | 60544

**2024 F-550 Chassis 4x4 SD Regular Cab 145" WB DRW XL (F5H)**

Price Level: 425 | Quote ID: Romeo550

**Selected Equip & Specs (cont'd)**

*Cruise Control*

Cruise control      Cruise control with steering  
 wheel mounted controls

*Key Fob Controls*

Fob remote vehicle controls      FordPass Connect  
 smart device vehicle start control

*Rear View Mirror*

Day/Night rearview mirror      Day/Night rearview  
 mirror

*Exterior Mirrors*

Door mirrors      Power door mirrors      Folding door mirrors  
 Heated door mirrors      Heated driver and      Manual folding door mirrors  
 passenger side door mirrors

*Front Side Windows*

First-row windows      Power first-row windows

*Overhead Console*

Overhead console      Full overhead console      Overhead console storage      Overhead console  
 storage

*Passenger Visor*

Visor passenger mirror      Passenger visor mirror

*Power Outlets*

12V power outlets      2 12V power outlets

*Rear Windshield*

Rear windshield      Fixed rear windshield

*Storage*

Number of beverage holders      6 beverage holders      Beverage holders      Front beverage holders  
 Glove box      Illuminated locking glove box      Illuminated glove box      illuminated glove box  
 Instrument panel storage      Instrument panel      Dashboard storage      Dashboard storage  
 covered bin

*Windows Feature*

One-touch up window      Driver and passenger      One-touch down window      Driver and passenger  
 one-touch up windows      one-touch down windows

*Miscellaneous*

Trip computer      Trip computer      PRND in IP      PRND in IP  
 Upfitter switches      Upfitter switches      Accessory power      Retained accessory power  
 Over the air updates      Over the air updates

Prices and content availability as shown are subject to change and should be treated as estimates only. Actual base vehicle, package and option pricing may vary from this estimate because of special local pricing, availability or pricing adjustments not reflected in the dealer's computer system. See salesperson for the most current information.



**Prepared for: Mr. Chris Drey**

Public Works Director, Village of Romeoville

Prepared by: Dave Thompson

05/31/2024



Rod Baker Ford Sls Inc | 13921 S. Route 59 Plainfield Illinois | 60544

**2024 F-550 Chassis 4x4 SD Regular Cab 145" WB DRW XL (F5H)**

Price Level: 425 | Quote ID: Romeo550

**Selected Equip & Specs (cont'd)**

**Comfort**

*Climate Control*

Climate control Manual climate control Cabin air filter Cabin air filter

*Headliner*

Headliner material Cloth headliner material Headliner coverage Full headliner coverage

*Floor Trim*

Floor covering Full vinyl floor covering Floor coverage Full floor coverage

*Steering Wheel*

Steering wheel material Urethane steering wheel Steering wheel telescopic steering wheel Manual telescopic steering wheel

Steering wheel tilt Manual tilting steering wheel

**Seats and Trim**

*Seat Capacity*

Seating capacity 3

*Front Seats*

Front seat type Split-bench front seat Driver seat direction Driver seat with 4-way directional controls

Driver seat fore/aft control Manual driver seat fore/aft control Passenger seat direction Front passenger seat with 4-way directional controls

Split front seats 40-20-40 split-bench front seat Reclining passenger seat Manual reclining passenger seat

Passenger seat fore/aft control Manual passenger seat fore/aft control Front head restraints Height adjustable front seat head restraints

Front head restraint control Manual front seat head restraint control Armrests front center Front seat center armrest

Armrests front storage Front seat armrest storage Reclining driver seat Manual reclining driver seat

*Lumbar Seats*

Driver lumbar Manual driver seat lumbar

*Front Seat Trim*

Front seat upholstery Vinyl front seat upholstery Front seatback upholstery Vinyl front seatback upholstery

*Interior Accents*

Interior accents Chrome interior accents

*Gearshifter Material*

Prices and content availability as shown are subject to change and should be treated as estimates only. Actual base vehicle, package and option pricing may vary from this estimate because of special local pricing, availability or pricing adjustments not reflected in the dealer's computer system. See salesperson for the most current information.

**Prepared for: Mr. Chris Drey**

Public Works Director, Village of Romeoville

Prepared by: Dave Thompson

05/31/2024



Rod Baker Ford Sls Inc | 13921 S. Route 59 Plainfield Illinois | 60544

**2024 F-550 Chassis 4x4 SD Regular Cab 145" WB DRW XL (F5H)**

Price Level: 425 | Quote ID: Romeo550

**Selected Equip & Specs (cont'd)**

Gearshifter material Urethane gear shifter material

**Entertainment Features**

*Displays*

Primary touchscreen display Primary touchscreen display Number of first-row displays 2 total number of 1st row displays  
Primary display size 8 inch primary display

*Radio Features*

External memory control SYNC 4 external memory control Seek scan Seek scan

*Speakers*

Speakers Standard grade speakers Speakers number 4

*Audio Features*

Steering mounted audio control Steering wheel mounted audio controls Speed sensitive volume Speed sensitive volume  
Voice activated audio SYNC 4 voice activated audio controls Wireless streaming Wireless audio streaming

**Lighting, Visibility and Instrumentation**

*Instrumentation*

Trip odometer Trip odometer Instrumentation display Digital/analog instrumentation display  
Configurable instrumentation gauges Configurable instrumentation gauges

*Instrumentation Displays*

Temperature display Exterior temperature display Driver information center Driver information center  
Clock In-radio display clock Compass Compass

*Instrumentation Gauges*

Tachometer Tachometer Oil pressure gauge Oil pressure gauge  
Transmission temperature gauge Transmission fluid temperature gauge Engine/electric motor temperature gauge Engine/electric motor temperature gauge  
Gauge cluster display size (inches) 4.20 Engine hour meter Engine hour meter

*Instrumentation Warnings*

Engine temperature warning Engine temperature warning Oil pressure warning Oil pressure warning  
Low fuel warning Low fuel warning Low brake fluid warning Low brake fluid warning

Prices and content availability as shown are subject to change and should be treated as estimates only. Actual base vehicle, package and option pricing may vary from this estimate because of special local pricing, availability or pricing adjustments not reflected in the dealer's computer system. See salesperson for the most current information.

**Prepared for: Mr. Chris Drey**

Public Works Director, Village of Romeoville

Prepared by: Dave Thompson

05/31/2024



Rod Baker Ford Sls Inc | 13921 S. Route 59 Plainfield Illinois | 60544

**2024 F-550 Chassis 4x4 SD Regular Cab 145" WB DRW XL (F5H)**

Price Level: 425 | Quote ID: Romeo550

**Selected Equip & Specs (cont'd)**

Battery charge warning	Battery charge warning	Headlights on reminder	Headlights on reminder
Key in vehicle warning	Key in vehicle warning	Door ajar warning	Door ajar warning
Service interval warning	Service interval indicator		

**Glass**

Tinted windows	Light tinted windows
----------------	----------------------

**Headlights**

Headlights	Halogen headlights	Headlight type	Reflector headlights
Auto headlights control	Autolamp auto on/off headlight control	Multiple headlights	Multiple enclosed headlights
Delay off headlights	Delay-off headlights	DRL preference setting	DRL preference setting

**Front Windshield**

Wipers	Variable intermittent front windshield wipers
--------	---

**Interior Lighting**

Illuminated entry	Illuminated entry	Variable panel light	Variable instrument panel light
Front reading lights	Front reading lights		

**Lights**

Running lights	Daytime running lights	Interior courtesy lights	Fade interior courtesy lights
Clearance lights	Cab clearance lights	Perimeter approach lighting	Remote activated perimeter approach lighting

**Technology and Telematics**

**Connectivity**

Handsfree connectivity	SYNC 4 handsfree wireless device connectivity	Smart device integration	AppLink/Apple CarPlay/Android Auto smart device wireless mirroring
Emergency SOS	SYNC 4 911 Assist emergency SOS system via mobile device		

**Internet Access**

Internet access	FordPass Connect 5G mobile hotspot internet access
-----------------	--

**USB Ports**

USB ports	2 USB ports
-----------	-------------

**Safety and Security**

**Airbags**

Prices and content availability as shown are subject to change and should be treated as estimates only. Actual base vehicle, package and option pricing may vary from this estimate because of special local pricing, availability or pricing adjustments not reflected in the dealer's computer system. See salesperson for the most current information.

**Prepared for: Mr. Chris Drey**

Public Works Director, Village of Romeoville

Prepared by: Dave Thompson

05/31/2024



Rod Baker Ford Sls Inc | 13921 S. Route 59 Plainfield Illinois | 60544

---

**2024 F-550 Chassis 4x4 SD Regular Cab 145" WB DRW XL (F5H)**

Price Level: 425 | Quote ID: Romeo550

---

**Selected Equip & Specs (cont'd)**

Front impact airbag driver airbag	Driver front impact airbag	Number of airbags	6 airbags
Front impact airbag passenger passenger air bag	Cancellable front passenger air bag	Front side impact airbag driver impact driver airbag	Seat mounted side impact driver airbag
Front side impact airbag passenger side impact front passenger airbag	Seat mounted side impact front passenger airbag	Overhead airbags curtain first-row overhead airbags	Safety Canopy System

**Seatbelts**

Height adjustable seatbelts adjustable seatbelts	Front height adjustable seatbelts
---	--------------------------------------

**Security System**

Immobilizer	SecuriLock immobilizer	Remote panic alarm	Remote panic alarm
-------------	------------------------	--------------------	--------------------

**Active Driving Assistance**

Lane departure	Lane Departure Warning	Forward collision warning with Automatic Emergency Braking (AEB) forward collision mitigation	Pre-Collision Assist
----------------	------------------------	---	----------------------

**Cameras**

* Rear camera	Rear mounted camera
---------------	---------------------

---

Prices and content availability as shown are subject to change and should be treated as estimates only. Actual base vehicle, package and option pricing may vary from this estimate because of special local pricing, availability or pricing adjustments not reflected in the dealer's computer system. See salesperson for the most current information.

**Prepared for: Mr. Chris Drey**  
Public Works Director, Village of Romeoville  
Prepared by: Dave Thompson  
05/31/2024



Rod Baker Ford Sls Inc | 13921 S. Route 59 Plainfield Illinois | 60544

---

2024 F-550 Chassis 4x4 SD Regular Cab 145" WB DRW XL (F5H)

Price Level: 425 | Quote ID: Romeo550

---

## Warranty

### Standard Warranty

#### *Basic Warranty*

Basic warranty 36 months/36,000 miles

#### *Powertrain Warranty*

Powertrain warranty 60 months/60,000 miles

#### *Corrosion Perforation*

Corrosion perforation warranty 60 months/unlimited

#### *Roadside Assistance Warranty*

Roadside warranty 60 months/60,000 miles

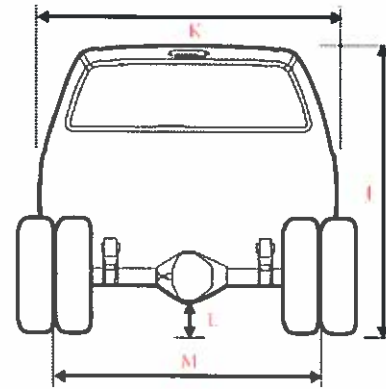
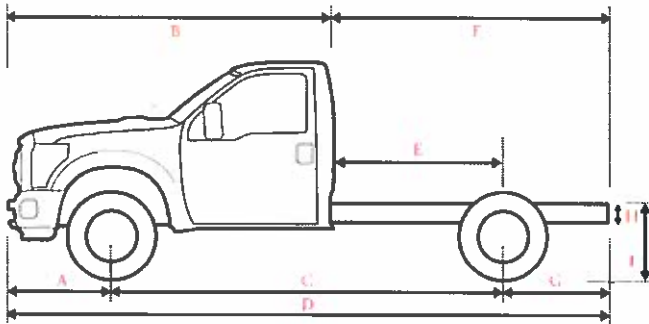


**2024 F-550 Chassis 4x4 SD Regular Cab 145" WB DRW XL (F5H)**

Price Level: 425 | Quote ID: Romeo550

## Vehicle Dimension and Performance Summary

Performance predictions in this report represent an estimate of vehicle performance based on standard operating conditions. Variations in customer equipment, load configuration, ambient conditions, and/or operator driving techniques can cause significant variations in vehicle performance. These values are not representative of results that may be shown in actual dynamometer tests. This report should therefore be used as a guide for comparative vehicle performance.



### Dimensions

A	Front of Bumper to Front Axle	38.30 in.
B	Front Bumper to Back of Cab (BBC)	123.70 in.
C	Wheelbase (WB)	145.00 in.
D	Overall Length (OAL)	230.70 in.
E	Back of Cab to Rear Axle (CA)	60.00 in.
F	Back of Cab to End of Frame	107.20 in.
G	Rear Axle to End of Frame (AF)	47.20 in.
H	Frame Section Height	N/A
I	Rear Frame Height Unloaded	35.40 in.
I	Rear Frame Height Loaded	29.90 in.
J	Cab Height	82.60 in.
K	Body Width	80.00 in.
L	Maximum Ground Clearance	N/A
L	Minimum Ground Clearance	8.50 in.
M	Front Tread	74.80 in.
M	Rear Tread	74.00 in.

Prepared for: Mr. Chris Drey

Public Works Director, Village of Romeoville

Prepared by: Dave Thompson

05/31/2024

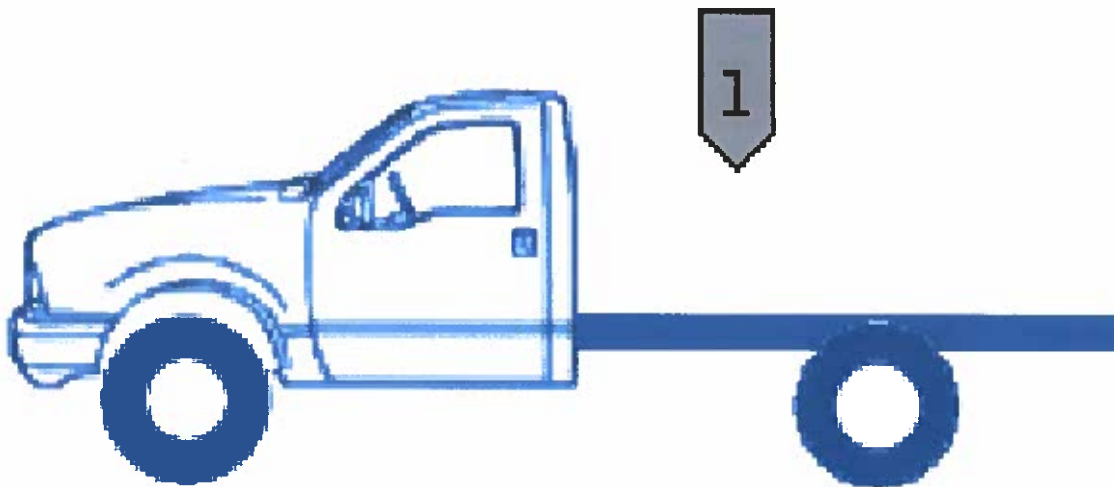


Rod Baker Ford Sls Inc | 13921 S. Route 59 Plainfield Illinois | 60544

2024 F-550 Chassis 4x4 SD Regular Cab 145" WB DRW XL (F5H)

Price Level: 425 | Quote ID: Romeo550

## Vehicle Dimension and Performance Summary (cont'd)



### Weight

GVW	Front Axle	Rear Axle	Totals
Chassis	3,902 lbs	3,018 lbs	6,920 lbs
Body	0 lbs	0 lbs	0 lbs
Occupants Weight	300 lbs	150 lbs	450 lbs
1 Max Payload - (Max Payload)	2,298 lbs	10,732 lbs	13,030 lbs
<b>TOTAL</b>	<b>6,500 lbs</b>	<b>13,900 lbs</b>	<b>20,400 lbs</b>

Ratings	Front Axle	Rear Axle	GVWR
<b>GAWR</b>	<b>6,500 lbs</b>	<b>13,900 lbs</b>	<b>19,000 lbs</b>
Wheels/Tires	7,500 lbs	15,000 lbs	
Suspension	6,500 lbs	13,900 lbs	
Axle	7,000 lbs	13,900 lbs	
Legal Axle Limit	0 lbs	0 lbs	

Prices and content availability as shown are subject to change and should be treated as estimates only. Actual base vehicle, package and option pricing may vary from this estimate because of special local pricing, availability or pricing adjustments not reflected in the dealer's computer system. See salesperson for the most current information.

**Prepared for: Mr. Chris Drey**

Public Works Director, Village of Romeoville

Prepared by: Dave Thompson

05/31/2024



Rod Baker Ford SIs Inc | 13921 S. Route 59 Plainfield Illinois | 60544

**2024 F-550 Chassis 4x4 SD Regular Cab 145" WB DRW XL (F5H)**

Price Level: 425 | Quote ID: Romeo550

## Vehicle Dimension and Performance Summary (cont'd)

### Start, Grade and Speed

Start	Ratio	Desired	Calculated
Start grade capability in 1st gear	4.62	15.00 %	32.94 %
Start grade capability in reverse	4.70	15.00 %	33.51 %
Grade	Ratio	Desired	Calculated
Maximum grade in 8th gear	0.85	3.00 %	6.17 %
Maximum grade in 9th gear	0.69	3.00 %	4.98 %
Maximum grade in 10th gear	0.63	3.00 %	4.58 %
Speed		Desired	Calculated
Top Speed (level grade)		75 mph	113 mph
<i>To meet your requirement you need a maximum axle ratio of 8.83</i>			
Top Speed on 3% grade		55 mph	
<i>To meet your requirement you need a maximum of 120 hp</i>			
Cruise Speed		60 mph	78 mph
Engine RPM at desired cruise speed			1,989 rpm

### Variables in Use

#### Start

Rear axle ratio:	4.88	Clutch engagement torque:	234 ft.lbs.
Tire size:	225/70R19.5 (645 rev/mile)	Torque conversion ratio:	1.97
Gross Vehicle Weight (GVW):	19,000 lbs		

#### Grade

Rear axle ratio:	4.88	Gross Vehicle Weight (GVW):	19,000 lbs
Tire size:	225/70R19.5 (645 rev/mile)	Peak engine torque:	468 ft.lbs.

#### Speed

Engine Power:	335 hp @ 3,750 rpm	Worst road surface	Typical Highway
Peak Torque RPM:	3,750 rpm	Final Drive Ratio:	0.63
Frontal Area:	40.89 Sq.Ft.	Drag Coefficient	0.80
Cruising RPM	2,600 rpm		

Prices and content availability as shown are subject to change and should be treated as estimates only. Actual base vehicle, package and option pricing may vary from this estimate because of special local pricing, availability or pricing adjustments not reflected in the dealer's computer system. See salesperson for the most current information.



**Prepared for: Mr. Chris Drey**

Public Works Director, Village of Romeoville

Prepared by: Dave Thompson

05/31/2024

Rod Baker Ford Sls Inc | 13921 S. Route 59 Plainfield Illinois | 60544



2024 F-550 Chassis 4x4 SD Regular Cab 145" WB DRW XL (F5H)

Price Level: 425 | Quote ID: Romeo550

## Vehicle Dimension and Performance Summary (cont'd)

### Turning Radius

Turning Radius

21.25 ft

