

OFFER TO PURCHASE



Date: 04/20/2026
 Deal: 31290
 Branch: 114
 Department: New Sales
 Salesperson: Mike Lexow

To receive electronic copies of your invoices and statements or for general account inquiries, email your request to customerservice@cittrucks.com

Customer: Village of Romeoville 1050 W Romeo Road Romeoville, IL 60446	Dealer: CIT Trucks, LLC. - Mokena 305 W. Northtown Rd. Suite A Normal, IL 61761
--	--

+SOLD UNITS(s)

	Year: 2027	Price: \$138,369.00
Make: Kenworth	Model: T480	

ADDITIONAL UNIT CHARGES

Warranty - New KW Medium Duty

Price: **\$3,848.00**

ADDITIONAL UNIT CHARGES

Title Fee

Price: **\$165.00**

ADDITIONAL UNIT CHARGES

Document Fee

Price: **\$375.00**

ADDITIONAL UNIT CHARGES

License Plate Fees

Price: **\$8.00**

Unit Price: **\$142,765.00**

Subtotal: **\$142,765.00**

Difference: **\$142,765.00**

\$0.00

\$0.00

\$0.00

Net: **\$142,765.00**

Balance Due: \$142,765.00

2027 T480 Single Axle Chassis
 Heated windshield and wipers included in price
 Extended warranty included in price
 Paccar Engine Warranty 5 years / 100,000 miles
 Paccar Aftertreatment 5 years / 100,000 miles
 Allison Transmission 5 years / unlimited miles
 Utilizing Sourcewell Pricing Matrix for Kenworth Trucks Contact 032824-KTC
 Will need to be funded within 60 days from arrival at dealer

Terms and conditions of this offer are set forth at www.citrucks.com/terms which are incorporated herein by this reference. Purchaser agrees to all terms and conditions in this agreement.

General Manager Printed Name

Purchaser Printed Name

General Manager Signature

Purchaser Signature



CIT KENWORTH - MOKENA (C261)
 8300 SPRINGLAKE DRIVE
 MOKENA, Illinois 60448

VILLAGE OF ROMEOVILLE
 615 ANDERSON DR
 ROMEOVILLE, Illinois 60446
 United States of America

Michael Lexow
 Cell Phone:
 Office Phone: 815-464-9700
 Email: mlexow@cittrucks.com

Mike Braasch
 Email: mbraasch@romeoville.org

Vehicle Summary

Model:	Unit	T480 Series Conventional	Chassis	
Type:		Full Truck	Fr Axle Load (lbs):	20000
Description 1:		2026 T480 Single Axle	Rr Axle Load (lbs):	23000
Description 2:		Single Axle Hook Lift Chassis	G.V.W.R. (lbs):	43000
			G.C.W. (lbs):	43000
	Application		Road Conditions:	
Intended Serv.:		Snowplow: Vehicles which are configured	Class A (Highway)	89
Commodity:		Gravel/Crushed Rock/Sand	Class B (Hwy/Mtn)	10
	Body		Class C (Off-Hwy)	1
Type:		End Dump	Class D (Off-Road)	0
Length (ft):		14	Maximum Grade:	6
Height (ft):		13.5	Wheelbase (in):	178
Max Laden Weight (lbs):		4000	Overhang (in):	60
			Fr Axle to BOC (in):	69.5
	Trailer		Cab to Axle (in):	108.5
No. of Trailer Axles:		0	Cab to EOF (in):	168.5
Type:		-	Overall Comb. Length (in):	302
Length (ft):		0		
Height (ft):		0	Special Req.	
Kingpin Inset (in):		0	U.S. Domestic Registry, 50-state.	
Corner Radius (in):		0		
	Restrictions			
Length (ft):		75		
Width (in):		102		
Height (ft):		13.5		

Approved by: _____

Date: _____

Note: All sales are F.O.B. designated plant of manufacture.



Sales Code	Std/Opt	Description	Weight
Model			
0000480	S	T480 Series Conventional	10,386
0071001	O	T480 Vocational Hood	0
0072000	O	Chassis Operation Will Not Incl. Stationary application. Stationary operation is defined as running the engine under load while stationary at a substantial fraction of engine gross horsepower (60% or greater) for an extended period of time (longer than 5 - 10 minutes).	0
0080101	O	CARB Low NOX Omnibus Registration Guidelines Dealer/Customer acknowledges that this vehicle is NOT intended for registration or domicile/primary use in the State of California.	0
0080314	O	EPA Clean Idle Label - PACCAR PX Engines	0
0090161	O	T480 Single Rear	0
0098413	O	State of Registry: Illinois	0
Engine & Equipment			
0130221	O	PACCAR PX-9 330 330@1750 1000@1200, 2024 With Turbo Exhaust Brake (VGT Brake) N09420 C333 0.....Reserve Speed Limit Offset (N09380 C334 0.....Maximum Cycle Distance (C334 N09360 C400 252...Reserve Speed Function Reset N09200 C399 100...Standard Maximum Speed Limit N09400 C401 10....Maximum Active Distance (C40 N09220 C402 0.....Expiration Distance (C402) N09540 C395 0.....Expiration Distance (C395) N09260 C121 65....Max Vehicle Speed in Top Gea N09440 C234 NO....Engine Protection Shtdwn N09460 C231 NO....Gear Down Protection N09580 C133 5.....Idle Shtdwn Time N09680 C233 NO....Idle Shtdwn Override N09480 C132 1400..Max PTO Speed N09300 C128 65....Max Cruise Control Speed N09500 C239 NO....Cruise Control Auto Resume N09520 C238 NO....Auto Engine Brake in Cruise N09780 C190 80....High Ambient Temperature Thr N09740 C188 40....Low Ambient Temperature Thre N09760 C189 60....Intermediate Ambient Tempera N09720 C382 YES...Enable Hot Ambient Automatic N09600 C396 YES...Enable Impending Shutdown Wa N09620 C397 60....Timer For Impending Shutdown N09640 C206 35....Engine Load Threshold N09560 C225 NO....Enable Idle Shutdown Park Br	0
1000046	O	EPA Emissions Compliant Engine	0

Price Level: January 1, 2026

100% Complete

Date: May 06, 2026

Deal: 2026 T480 Single Axle

Quote Number: QUO-1128839-W0B8M8

Printed On: 5/6/2026 1:11:13 PM

Sales Code	Std/Opt	Description	Weight
1000151	S	PremierSpec	0
1000234	O	Engine Parameter: Set Engine Fan to Not Engage when Exhaust/Compression Brake Engages	0
1000244	O	Gearing Analysis: Balance power/economy blend results.	0
1000248	O	Customer's Typical Operating Spd: 55 MPH	0
1000344	O	EWI Tracking - A2 Engine Module Chassis	0
1000526		RegistrationYear Year of Registration: 2026	0
1000684	O	Effective VSL Setting NA	0
1000857	O	Engine Idle Shutdown Timer Enabled	0
1000859	O	Enable EIST Ambient Temp Overrule	0
1000891	O	Eff EIST NA Expiration Miles Use only with MX and Cummins engines	0
1002060	S	Air Compressor: Cummins 18.7 CFM - Cummins and PX	0
1041399	S	Air Cleaner: MD Composite Engine Mounted	0
1093120	O	Inside/Outside Air Intake for Engine Mounted Air Cleaner	16
1098003	S	Air Restriction Indicator: Mechanical Mounted on Air Cleaner.	0
1105232	O	Fan Hub: Horton Variable Speed For use with PX engines, L9N or B6.7N natural gas engines on 2.1M only.	0
1121233	O	Cooling Module: 2.1M MD Vocation Hood 1000 Square Inches	10
1247263	O	EXH: Single Can 2024 RH Under with RH Side-of-Cab Vertical Tailpipe	0
1290124	O	Tailpipe: 5 in. single 24 in. 45 degree curved.	6
1321102	S	Fuel Filter: PACCAR 2.1M MD for PX-7 or PX-9 Fuel/water separator for 2021 and later engines.	0
1321205	O	Run Aid:Fuel Heat *For Fuel Filter	0
1321305	O	Start Aid:12V Heat *For Fuel Filter	1
1500029	O	Kenworth Fuel Cooler Required for Cummins engines with a single fuel tank. Required for PACCAR MX-13 engine with a single fuel tank and stationary use: High RPM, low vehicle speed, sustained for longer than 1 hour. Optional for all other applications.	0
1504006	O	Block Heater: PACCAR 750 watt 120V for PX-7	2

Price Level: January 1, 2026

100% Complete

Date: May 06, 2026

Deal: 2026 T480 Single Axle

Quote Number: QUO-1128839-W0B8M8

Printed On: 5/6/2026 1:11:13 PM



Sales Code	Std/Opt	Description	Weight
		and B6.7N. 1000 watt for PX-9 and ISL9 Engines.	
1509058	O	Fuel Tank Heater: Single Arctic Fox W/ Thermostat	0
1816260	S	Alternator: PACCAR 160 amp, Brush Type	0
1821210	O	Batteries: 3 PACCAR GP31 Threaded Post (700-730) 2100-2190 CCA dual purpose.	62
1836106	S	Mitsubishi 105P55 12V Starter with Cummins and PX PACCAR 12 volt electrical system. W/ centralized power distribution incorporating plug-in style relays. Circuit protection for serviceability, 12-volt light system w/circuit protection circuits number & color coded. Only for Cummins or PX engines.	0
1840067	O	Battery Disconnect Switch Mounted on Battery Box Provides One (1) Switch	0
Transmission & Clutch			
2011613	O	Transmission: Allison 3000RDS 6-speed, With PTO drive gear. 6th Generation controls. Includes heat exchanger & oil level sensor. Rugged Duty Series for vocational applications. Requires a push button shift control code. Oil temperature gauge is standard on class 8 models. Transynd transmission fluid is standard on all Allison 1000, 2000, 3000 & 4000 series transmissions.	443
2401405	O	Driveline: 2 Dana Standard-Duty; 1 Centerbearing. *Standard duty is 1710 series.	-1
2409941	S	One Heavy-Duty One-Piece Aluminum Crossmember This option upgrades an existing crossmember. The cost does not include the centerbearing and bracket. Crossmember location will be in accordance with Kenworth engineering standards, using the major components specified on the DTPO.	0
2410018	O	Torque Converter Included W/ Allison Transmission.	0
2410114	U	Left Hand PTO Access, Right Hand Dip Stick Tube	0
2410129	O	Seat Mounted Lever Shifter for Allison Trans	0
2410204	O	Allison Fuel Sense: Delete	0
2410244	O	J1939 Park Brake Auto Neutral	0
2410310	O	Allison Neutral at Stop	0
2429378	O	C/I Transmission PTO in the LH Mounted position (8 o'clock) for Allison 3000 & 4000 transmissions.	0
2460069	O	Transmission Cooler: Automatic Transmission For use with 2.1M MD with Vocational Hood. Includes cooler protector.	38
Front Axle & Equipment			
2516006	O	Meritor MFS20 20K 3.74in. Drop Wide Track.	167

Price Level: January 1, 2026

100% Complete

Date: May 06, 2026

Deal: 2026 T480 Single Axle

Quote Number: QUO-1128839-W0B8M8

Printed On: 5/6/2026 1:11:13 PM



Sales Code	Std/Opt	Description	Weight
2607002	O	Front Brakes: 14,601-22K Bendix Air Disc Brakes.	13
2690025	O	Splined Rotor for Front Air Disc Brakes for Use with Iron Hubs.	0
2702020	O	Front Hubs Iron Hub Pilot 20,000 lbs. 10 Bolt 16.5x6in. or 7in. or air disc brakes. 10 Bolt, 11-1/4 in. bolt circle. Consider Wheelguards (5850002) with aluminum wheels.	80
2741970	S	ConMet PreSet Plus Hub Package; Front Axle.	0
2750001	S	Hubcap: Front Vented.	0
2769000	O	Slack Adjusters Included W/ Front Axle or Brakes. Also use with disc brakes.	0
2865025	O	Front Springs: Taperleaf 20K W/ Shock Absorbers w/ maintenance-free elastomer spring pin bushings.	99
2895305	O	Dual Power Steering Gears: 18/20K	75
2899336	O	Power Steering Cooler:Radiator Mounted Air-to-Oil	11
2900055	O	5 mm Front Suspension Spacer Block	0
2900612	O	Threaded Front Spring Bushings in Place of elastomeric.	0
Rear Axle & Equipment			
3041180	O	Single Dana Spicer S23-172 Single Reduction Axle, single rear axle rated at 23K.	-67
3200614	O	Rear Axle Ratio - 6.14.	0
3330004	S	Single Rear Brakes 16-1/2x7 in. Bendix ES- extended service S-cam.	0
3392007	S	Single Rear Brake Drums: Cast S-Cam Single For use with 15x8.625", 16.5X7" or 16.5X8.625" brake.	0
3403220	S	Single Rear Hubs: Iron Hub Pilot 26k; 11.25" Bolt circle. Requires "R" series outer ends.	0
3441971	S	ConMet PreSet Plus Hub Package; Single Rear Axle.	0
3465001	S	Single Rear Axle Automatic Slack Adjusters. For use with drum brakes.	0
3485007	S	Spring Brake: 3030 Long Stroke Single 3 in. travel. For drum brakes. Helps keep brakes in adjustment longer.	0
3490047	O	Dustshields for Drum Brakes: All Rear Axles.	11
3495228	O	Bendix 4S/4M Anti-Lock Brake System W/ Air traction control (ATC).	2
3495561	O	Air Operated Park Brake	0
3531001	O	Wheel Differential Lock for Dana Spicer Axles	28

Price Level: January 1, 2026

100% Complete

Date: May 06, 2026

Deal: 2026 T480 Single Axle

Quote Number: QUO-1128839-W0B8M8

Printed On: 5/6/2026 1:11:13 PM



Sales Code	Std/Opt	Description	Weight
		S21-170/172, S21-190, S23-170/172, S23-190, S26-190 & S30-190; adds D to the end of the axle part number.	
3636422	S	Rear suspension: single Reyco 79KB taperleaf 23K with helper spring. Medium-duty. Unladen Height: 9 in. Laden Height: 7.3 in. Not rear air disc brake compatible.	0
3836315	S	Bolted Rear Suspension Crossmembers for Reyco 79KB. Replaces medium duty standard.	0
Tires & Wheels			
4017217	O	Front Tires: Michelin XZUS2 315/80R22.5 20PR 42.8 in. Diameter, All Position.. 19.6 in. SLR.	98
4210056	O	Rear Tires: Michelin X Multi D+ 11R22.5 16PR	0
4899106	S	Tire pressure monitoring system for tire/wheel count: 6.	0
4900004	O	Rear Tire Quantity: 4	0
5045280	O	Front Wheel: Alcoa 89U64 22.5X9 AL Ultra One High Polish Wheel.	0
5245306	O	Rear Wheel: Alcoa 88067 22.5x8.25 MagnaForce aluminum alloy, hub-pilot mount. 7400 lb maximum rating. Air disc brake compatible. High polish.	-102
5859010	O	Single Front Axle: 2 wheels Dura-Bright Mirror Polish Dura-Bright outboard surface of aluminum wheels.	0
5859011	O	Single Rear Axle Wheels: 2 Wheels Dura-Bright Mirror Polish. Dura-Bright outboard surface of outer dual or single aluminum wheels.	0
5900004	O	Rear Wheel/Rim Quantity: 4	0
Frame & Equipment			
6057600	O	Frame Rails: 11-5/8 x 3-7/8 x 3/8 in. Steel to 447 in. Truck frame weight is 3.80 lb.-in. per pair of rails. Section modulus is 21.43, RBM is 2,572,000 in.-lbs per rail. Frame rail availability may be restricted based upon application, axle/suspension capacity, fifth wheel setting, or component/dimensional specifications. The results of the engineering review may result in a change to the requested frame rail. If a change is required Kenworth Application Engineering will advise the dealer of the appropriate material specification for a substitute rail.	364
6302460	O	Bumper: Tapered Painted Steel Channel. Requires a bumper setting code.	65
6319064	O	64 in. Bumper Setting. Requires a Bumper Code.	0
6321010	S	Front Tow Loops: Two	0
6390034	O	24 in. Frame Rail Extensions. Vocational Hoods only.	36
6391201	O	Custom Frame Layout: One Chassis CFL A/D: MOUNT INSIDE LEFT FRAME RAIL, SAME AS CHASSIS 178184 CFL A/T: MOUNT UNDER BATTERY BOX, SAME AS CHASSIS 178184	0

Price Level: January 1, 2026

100% Complete

Date: May 06, 2026

Deal: 2026 T480 Single Axle

Quote Number: QUO-1128839-W0B8M8

Printed On: 5/6/2026 1:11:13 PM



Sales Code	Std/Opt	Description	Weight
6400644	O	Battery Box Cantilever Aluminum BOC with Smooth natural finish aluminum cover.	19
6409902	O	Battery Box Location: RH Side.	0
6451125	S	DPF/SCR Box Natural End Plates and Natural cover.	0
6490139	S	Heavy-Duty One-PC Aluminum Intermediate/ Fill-In crossmember.	0
6490433	S	Heavy-Duty 5-Piece Rear Cab Support, Hucked assembly. Huck fastened to frame.	0
6679857	O	Final End-of-Frame Cut-Off Dimension Will be modified to 46 in. to 50 in.	0
6679995	O	Customer Will Install Structural End-of-Frame crossmember before vehicle is placed in service.	0
6721125	O	Delete Mudflap Arms: Dealer/ Customer Responsible for installation of arms.	-12
6723000	O	Delete Mudflap Shields-Dealer/Customer responsible for installation of shields.	-8
6742009	S	Square End-of-Frame W/O Crossmember; Non-Towing.	0
Fuel Tanks & Equip			
7140070	O	70 US Gallon D-Shape Rectangular Aluminum Under fuel tank, replace. With non-slip step.	23
7722170	S	Small DEF Tank, 5.5 Gallons.	0
7840015	O	Polish Only One Aluminum Tank.	0
7840038	O	Polished Cover for 1 DEF Tank Any Size.	3
7889061	O	Polished Stainless Steel Tank Straps for 1 Tank.	0
7889208	O	DEF to fuel fill ratio between 1.25:1 and 2:1.	0
7889613	O	DEF Tank Location is RH BOC. For 2.1M Medium-Duty	0
7920070	O	Location: 70 gal fuel tank LH under cab	0
Cab & Equipment			
8024311	S	Cab: Stamped Aluminum with Curved Windshield LED markers. Requires separate roof code.	0
8090153	O	Hood: Sloped Vocational w/ Stationary Grille w/ Chrome Crown	-24
8108011	S	Cab HVAC - Day Cab and 40 in. Sleeper System With Defrost, A/C, and 48,000 BTU/hr Heater. Includes automatic temperature control with one touch defrost operation and dash mounted cab temperature and solar intensity sensors. Pleated fresh air filter and cabin recirculation air filter standard. The Kenworth HVAC system is designed to provide optimal heating and cooling in all	0

Price Level: January 1, 2026

100% Complete

Date: May 06, 2026

Deal: 2026 T480 Single Axle

Quote Number: QUO-1128839-W0B8M8

Printed On: 5/6/2026 1:11:13 PM



Sales Code	Std/ Opt	Description	Weight
		operating environments without need for additional insulation. Cab HVAC without sleeper heater AC is available with 40in sleeper.	
8201013	S	Steering Wheel: 18 in. 4-Spoke.	0
8201200	S	Adjustable Telescoping Tilt Steering Column.	0
8205012	O	Off-Highway Dash Switch: For ABS System. Includes indicator light.	0
8205202	U	PTO Wiring W/O Dash SW	0
8205283	O	Info for C/I PTO: Chelsea 10-Bolt	0
8208495	O	Two Spare Switches: Wired to Power.	0
8222413	O	Gauge: DD Virtual Gauge - Manifold Pressure Boost	0
8222414	O	Gauge: DD Virtual Gauge - Engine Percent Torque	0
8222418	O	Gauge: DD Virtual Gauge - Engine Hours Instrument Cluster	0
8222419	O	Gauge: DD Virtual Gauge - Volts Instrument Cluster	0
8282024	S	Main Instrument Package: 7" Digital Display Cluster. Includes Physical (Analog): Speedometer, Tachometer, Oil Pressure, and Coolant Temp; and Digital: Fuel Level #1, DEF Level, DPF Filter Status, Fuel Economy, Volts Telltale, OAT and Primary Air Pressure, Secondary Air Pressure, and Air Application for air brake trucks.	0
8282109	O	Large Flat Panel on Dash For C/I Controls. Replaces Storage Bucket.	0
8330591	S	Interior Trim Package: 2.1M MD Gray Foam Backing/Cloth Headliner W/Gray Sunvisor & Seat Color Three Underdash Center Console Cupholders (Two If Allison Transmission Is Selected).	0
8410162	O	Driver Seat: KW Air Seat HB Vinyl w/o Armrests with Susp Cover	0
8480202	O	Rider Seat: KW Toolbox Seat HB Vinyl w/o Armrests	0
8490161	O	Seat Color: Black Replacing Standard Gray	0
8601432	O	Kenworth Radio DEA710 AM/FM/WB/USB, Bluetooth	0
8698965	O	Speaker Package For Cab: (2) Speakers B-Pillar	0

Price Level: January 1, 2026

100% Complete

Date: May 06, 2026

Deal: 2026 T480 Single Axle

Quote Number: QUO-1128839-W0B8M8

Printed On: 5/6/2026 1:11:13 PM



Sales Code	Std/Opt	Description	Weight
8700196	S	Turn Signal: Self-Cancelling	0
8700283	S	LH and RH Trip Ledge Rain Deflectors	0
8700501	O	Metal Int Door Panel Kick Plates	0
8700601	S	Global Telematics Unit	0
8702232	S	Sensata Tire pressure monitoring system Requires 48991XX tire/wheel count code for sensors.	0
8800260	O	Long Grabhandle RH Side Mounted to Side-of-Cab exhaust.	2
8800372	O	Grabhandle: LH, Exterior, Side of Cab - Ergonomic Grab Handle Mounted To The Left Hand Exterior Of The Cab For Entry and Exit.	3
8800402	S	Dual Cab Interior Grabhandles: A Pillar Mounted Dash Wrap and B Pillar Mounted Grabhandles	0
8832113	S	Kenworth Daylite Door With Standard LH/RH electric door locks and LH/RH electric window controls.	0
8841411	S	Single Air Horn Under Cab.	0
8850139	S	Look-Down, Pass. Door, Black 11x6	0
8850841	O	Mirror Shell: Dual Aero Chrome	0
8860852	O	Mirror: Dual KW Aero Rear View Motor, heated with Integral CX.	0
8871446	S	Rear Cab Stationary Window 19in x 36in	0
8890101	S	One-Piece Bonded-In Windshield With Curved Glass. Standard.	0
8890135	O	Exterior Stainless Steel Sunvisor.	11
8890356	O	4 1/4" Molded Wheelwell Fender Extension.	0
8890874	O	Kenworth Cab Air Suspension.	0
8891009	O	Thermal/Sound Insulation Package	0
8891011	O	Roof: Raised Profile, Stamped Aluminum w/ Additional Head Room & Interior Overhead Storage	0
Lights & Instruments			
9010813	O	Headlamps: Single Halogen Complex Reflector w/ Turn Indicator, Reflector and w/o DRL. Fender Mtd.	0
9010951	O	Daytime Running Lamps Located in Bumper. Driven by Chassis Height.	3
9022130	O	Marker Lights: Five Rectangular LED. Chrome housing. For use with raised roof only. Required with exterior sunvisor.	0

Price Level: January 1, 2026

100% Complete

Date: May 06, 2026

Deal: 2026 T480 Single Axle

Quote Number: QUO-1128839-W0B8M8

Printed On: 5/6/2026 1:11:13 PM

Sales Code	Std/Opt	Description	Weight
9030052	S	LED Stop,Turn,Tail: With Two LED Backup Lights and With An LED License Plate.	0
9080135	O	Stainless Steel Brackets, Switch & Wiring: Customer-installed dual beacon lights mounted over door of cab.	4
9090027	O	Headlamps to Turn on When Wipers are Active.	0
9090049	O	Omit Brake Light with Engine Brake. Can only be selected when chassis also has engine brake. Cannot be used with options to delete engine brake.	0
9090058	O	Switch & Wiring: For Customer-Installed Plow light. Includes circuit breaker.	0
9090151	O	Wiring:Cust. Install Trlr Elec. Brake Controller. Class 8/T4 Content Includes Dash Signals: Ignition Power (20A), Ground, Stop Lamp and Electric Trailer Brake Controller Wired To EOF Junction Box. These Signals Are Located Near The NavPlus HD Area. No Need To Code For An Additional End of Frame Junction Box. EOF Junction Box Signals Are: Ground, Tail Lamp, Marker Lamp, Left Turn, Right Turn, Stop Lamp and Electric Trailer Brake Controller Wired To Dash. Medium Duty (not T4) Content Includes A MP 280 Series Connector In Dash Near Driver Door Connections With Signals: Battery Power (40A), Ground, Stop Lamp and Electric Trailer Brake Controller Wired To Chassis Connector. Medium Duty (not T4) 2 Way Deutsch Chassis Connector Located Near Back of Cab, With Signals: Ground and Electric Trailer Brake Controller Wired To Dash Connector.	4
9090180	O	Backup Alarm: Tail Light Bracket Mounted Variable self-adjusting 82-102 DBA.	0
9090302	O	Junction Box: Mounted Behind Cab or Sleeper Not Mounted at End of Frame.	1
9090849	O	Polyswitches Replacing Fuses. Switch Will automatically reset after removal of excess load.	0
Air Equipment			
9101218	S	Air Dryer: Bendix AD-HF Puraguard Heated	0
9108001	S	Moisture Ejection Valve W/ Pull Cable Drain.	0
9140020	S	Nylon Air Tubing in Frame & Cab, Excluding Hoses subject to excessive heat or flexing.	0
9150170	O	Air Tanks: Aluminum Replacing Steel All Tanks. *Not air tanks on lift axles.	-44
Extended Warranty			
9200008	S	Base Warranty - PACCAR PX-9 Engine 24 months / 250,000 miles / 402,336 km / 6250 hours.	0
9200022	O	Base Warranty - Standard Service Medium Duty 12 months / Unlimited miles & km	0
9202448	O	PACCAR EW: PX-9 Protect Plan 1 EPA24 5YR/100K (160,935KM). Each code registered between 366 and 546 days after the vehicles in-service date will be subject to a \$400 late fee.	0



Sales Code	Std/ Opt	Description	Weight
		Coverage cannot be added after 200K MI or 545 days past the in-service date.	
9202460	O	PACCAR EW: Aftertreatment PX-9 Use W/ PP1 EPA24 5YR/100K (160,935KM). Each code registered between 366 and 546 days after the vehicles in-service date will be subject to a \$400 late fee. Coverage cannot be added after 200K MI or 545 days past the in-service date.	0
9212661	O	TruckTech+ RD - 5YR Sub PACCAR PX Engines	0
9220001	O	Base Warranty: Emissions 5YR/100K MI	0
Miscellaneous			
9409852	O	GHG Secondary Manufacturer: Does Not Apply	0
9490206	O	Warning Triangle Reflector Kit: Shipped Loose. Kit consists of 3 triangles in plastic carrying case. Not floor mounted.	4
9490404	O	One 5 lb. Dry Chemical Type Fire Extinguisher mounted outboard of driver seat. Class ABC.	11
9491652	S	EMUX Architecture	0
Promotions			
9511431	O	Model Year 2026 Engine	0
Paint			
9700000	O	Paint Color Number(s). N9702 A - L1324 RICH BLUE N9770 BUMPER N0001 BLACK N9720 FRAME N0001 BLACK	0
9943014	O	Steel Bumper Painted Frame Color	0
9943050	S	Day Cab Standard Paint	0
9944820	S	1 - Color Paint - Day Cab Color will be White if no other color is specified.	0
9965510	S	Base Coat/ Clear Coat. The Kenworth Color Selector contains additional instructions, as well as information on Kenworth paint guidelines and surface finish applications. Kenworth is standard with Dupont Imron Elite paint.	0



Sales Code	Std/Opt	Description	Weight
------------	---------	-------------	--------

Special Requirements

- Special Requirement 1 0098025
- Special Requirement 2
- Special Requirement 3
- Special Requirement 4

Fuel Efficiency Score:

Order Comments

Total Weight (lbs) 11,843

Any price increase as the result of force majeure, rising costs of components (including but not limited to material shortages) or government tariffs are not included in the quoted price and will be the financial responsibility of the customer.

Prices and Specifications Subject to Change Without Notice.

Unpublished options may require review/approval.

Dimensional and performance data for unpublished options may vary from that displayed in CRM.

PRICING DISCLAIMER

While we make every effort to maintain the web site to preserve pricing accuracy, prices are subject to change without notice. Although the information in this price list is presented in good faith and believed to be correct at the time of printing, we make no representations or warranties as to the completeness or accuracy of this information. We reserve the right to change, delete or otherwise modify the pricing information which is represented herein without any prior notice. We carefully check pricing specifications, but occasionally errors can occur, therefore we reserve the right to change such prices without notice. We disclaim all liability for any errors or omissions in the materials. In no event will we be responsible for any damages of any nature whatsoever from the reliance upon information from these materials. Please check your order prebills to confirm your pricing information

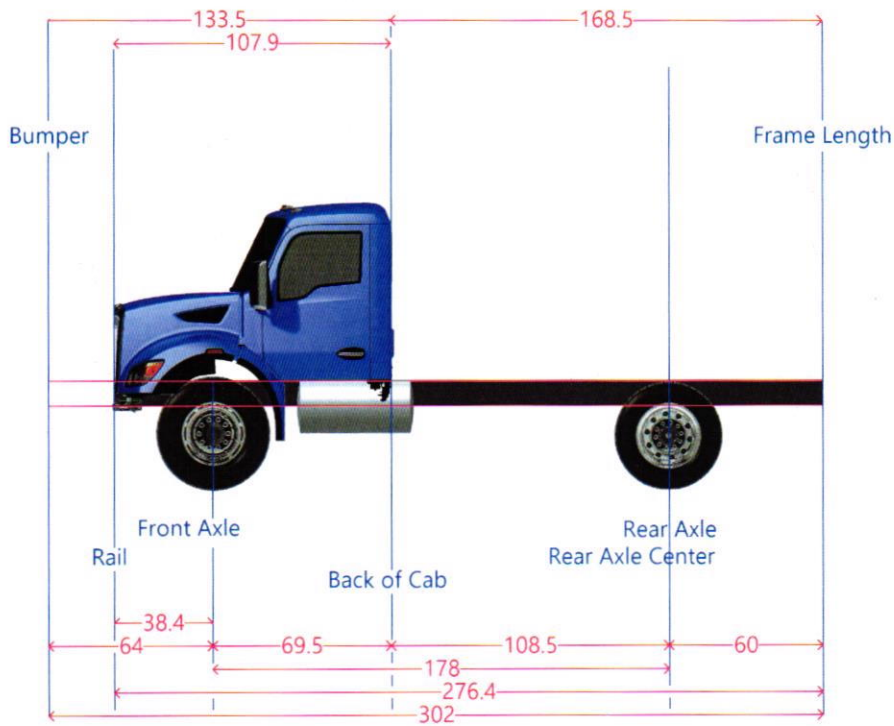


Shipping Destinations

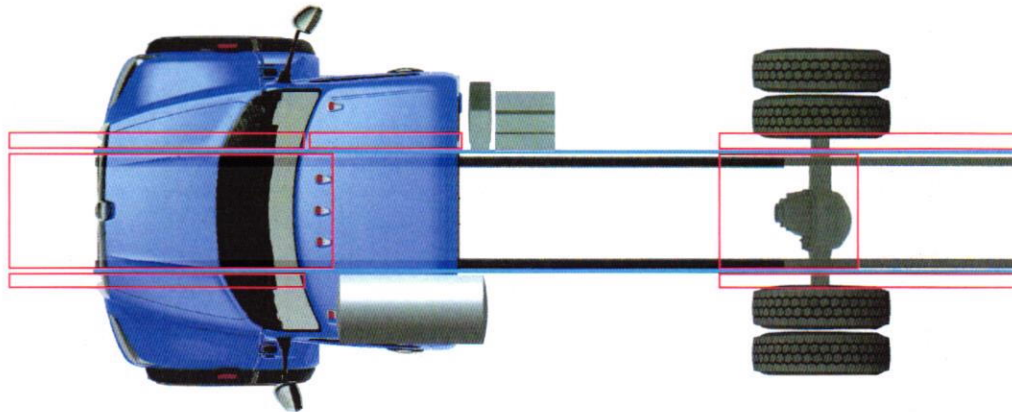
Intermediate Destination:

Final Destinations	Quantity
--------------------	----------

HORIZONTAL DIMENSIONS

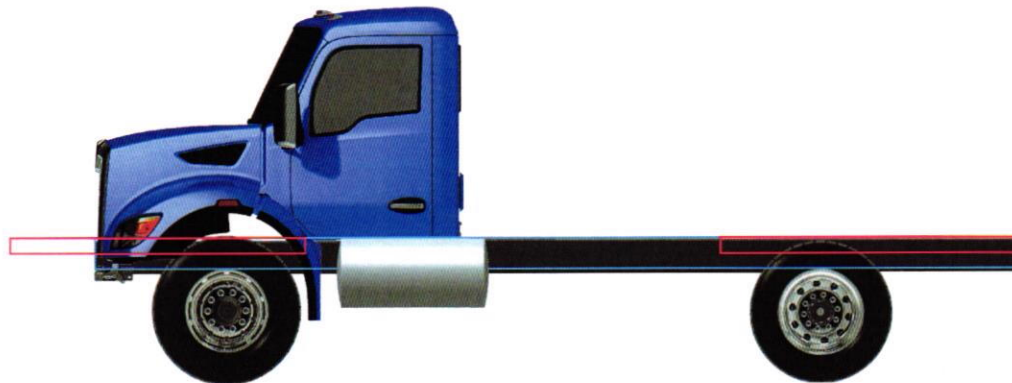


Dimension	Measurement	Start	End
Axle Spacing	0	178	178
Bumper to Back of Cab	133.5	-64	69.5
Bumper to Front Axle	64.0	-64	0
Bumper to Front Frame	25.6	-64	-38.4
Cab to End of Frame	168.5	69.5	238
Cab to Rear Axle	108.5	69.5	178
Effective Bumper to Back Of Cab	133.5	-64	69.5
Frame Length	276.4	-38.4	238
Front Axle to Back of Cab	69.5	0	69.5
Front of Frame to Axle	38.4	-38.4	0
Load Space	168.5	69.5	238
Overall Length	302.0	-64	238
Overhang	60.0	178	238



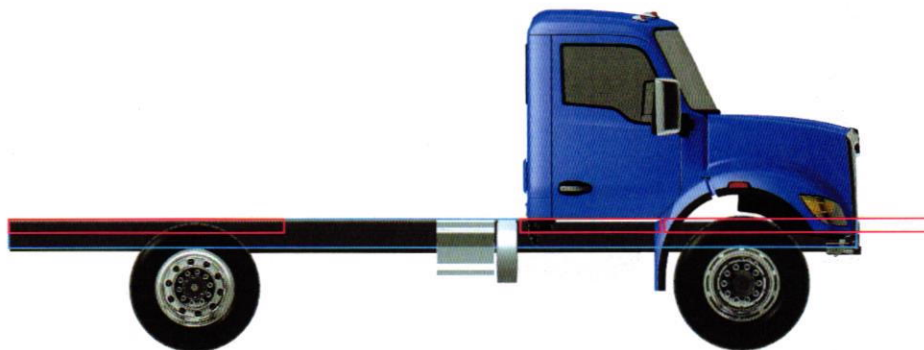
Note: Optional content may be displayed. The order has not yet received an engineering review. The actual arrangement of components may not be exactly as pictured.

Additional changes may be made to the layout by Kenworth. Add a Custom Frame Layout code if an exact layout is required.



Note: Optional content may be displayed. The order has not yet received an engineering review. The actual arrangement of components may not be exactly as pictured.

Additional changes may be made to the layout by Kenworth. Add a Custom Frame Layout code if an exact layout is required.



Note: Optional content may be displayed. The order has not yet received an engineering review. The actual arrangement of components may not be exactly as pictured.

Dtpo: Truck Model: T480 Customer: VILLAGE OF ROMEOVILLE

Selected Options

Sales Option	Description	Width	Side
7140070	70 US Gallon D-Shape Rectangular ...	20.7	Left
7722170	Small DEF Tank, 5.5 Gallons.	20.7	Right
6400644	Battery Box Cantilever Aluminum BO...	18	Right

Available Space: Left: 69.6 in. Center: 115.1 in. Right: 49.2 in.

4/20/2026, 9:20:38 AM